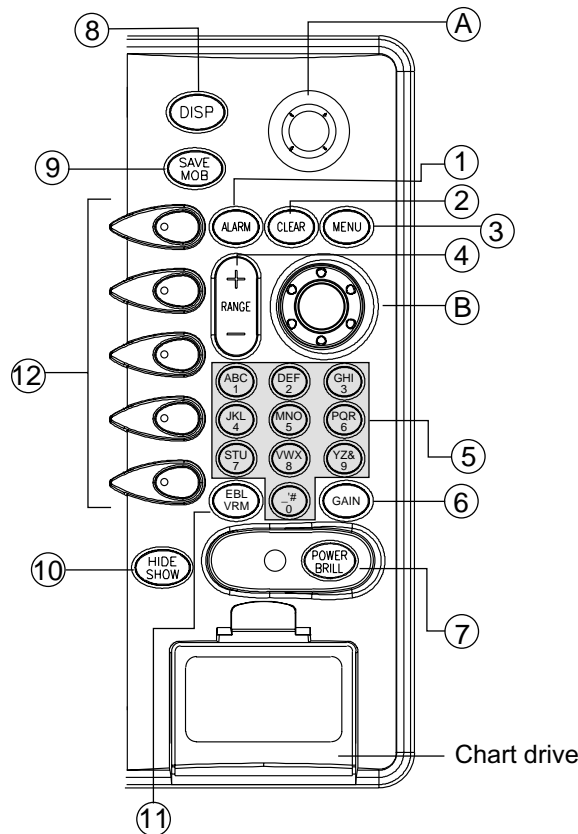


MODEL 1824C/1834C/1934C/1944C/1954C
GD-1920C Operator's Guide

The purpose of this Operator's Guide is to provide basic operating procedures for this equipment. For more detailed information see the Operator's Manual.



- ① Opens/closes the alarm menu.
 - ② Clears data; erases selected mark.
 - ③ Opens/closes the main menu.
 - ④ Selects a range.
 - ⑤ Enter alphanumeric data.
 - ⑥ **Radar:** Displays the soft keys for adjustment of gain, A/C SEA, A/C RAIN .
Sounder: Adjusts gain.
 - ⑦ **Press three seconds:** Turns power off.
Momentary press: Turns the power on; shows soft keys for adjustment of brilliance and hue; shows RADAR STBY/TX soft key.
 - ⑧ Displays the mode selection window.
 - ⑨ **Momentary press:** Registers own ship's position as a waypoint.
Press three seconds: Marks man overboard position.
 - ⑩ Shows or hides the soft keys, function keys, nav data.
 - ⑪ Displays soft keys for EBL/VRM.
 - ⑫ Soft keys
-
- A **Trackball**
Shifts EBL/VRM and cursor; selects menu items and options.
 - B **ENTER knob**
Push: Registers setting.
Rotate: Adjusts gain, VRM, EBL, etc.; selects menu items and options. May also be used to enter alphanumeric data.

Turning the Power On/Off

Turning on the power

Press the **POWER/BRILL** key momentarily.

Turning off the power

Press and hold down the **POWER/BRILL** key until the screen goes off (approx. 3 sec.)

Selecting a Display

1. Press the **DISP** key to show the display selection window.
2. Rotate the **ENTER** knob to select a basic display screen, and then push it.
3. Rotate the **ENTER** knob to select a combination display.
4. Push the **ENTER** knob.



<RADAR Operation>

Transmitting, Stand-by

1. Press the **POWER/BRILL** key momentarily to show soft keys.
2. Press the RADAR STBY soft key to highlight TX on its label.
3. Press the RETURN soft key.

To return to Stand-by mode, press the RADAR TX soft key to highlight STBY on its label.

Selecting the Range Scale

Press the **RANGE (+ or -)** key to change the range scale.

Adjusting the Gain

1. Press the **GAIN** key.
2. Press the GAIN soft key.

GAIN SENSITIVITY	
<input checked="" type="radio"/>	AUTO ROUGH
<input type="radio"/>	AUTO MODERATO
<input type="radio"/>	AUTO CALM
<input type="radio"/>	MAN <input type="text" value="0"/>

3. Use the **trackball** to select AUTO ROUGH, AUTO MODERATO, AUTO CALM or MAN (manual) as appropriate. For manual adjustment, rotate the **ENTER** knob to adjust, while observing the radar echo.
4. Press the **GAIN** key or the RETURN soft key to finish.

Adjusting the A/C SEA, RAIN

1. Press the **GAIN** key followed by A/C SEA or A/C RAIN soft key to show the appropriate setting window.

A/C SEA	
<input checked="" type="radio"/>	AUTO ROUGH
<input type="radio"/>	AUTO MODERATE
<input type="radio"/>	AUTO CALM
<input type="radio"/>	MAN <input type="text" value="0"/>

A/C SEA window

A/C RAIN	
<input type="text" value="0"/>	

A/C RAIN window

2. For A/C SEA, rotate the **ENTER** knob to select the appropriate setting. When selecting MAN, rotate the **ENTER** knob to adjust.
3. For A/C RAIN, rotate the **ENTER** knob to adjust.
4. Press the **GAIN** key or RETURN soft key to finish.

Measuring Range by VRM

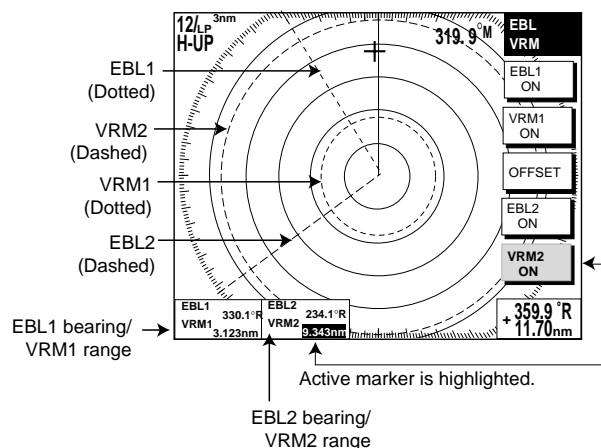
1. Press the **EBL/VRM** key followed by VRM1 ON (dotted ring) or VRM2 ON (dashed ring) soft key to show appropriate VRM.
2. Rotate the **ENTER** knob to place the VRM on the inside edge of a radar target, and read the VRM indication to find range.

To erase a VRM, press appropriate VRM soft key followed by the **CLEAR** key.

Measuring the Bearing

1. Press the **EBL/VRM** key followed by EBL 1 ON (dotted line) or EBL 2 ON (dashed line) soft key to show the appropriate EBL.
2. Rotate the **ENTER** knob to bisect the radar target with the EBL, and read the EBL indication to find bearing.

To erase an EBL, press appropriate EBL soft key followed by the **CLEAR** key.



<PLOTTER Operation>

Changing Chart Scale

Press the **RANGE -** key (shrinks the scale, and expands image) or **RANGE +** key (expands the scale, and shrinks image).

Entering a Mark

1. Place the cursor where you want a mark to appear.
2. Press the MARK ENTRY soft key.

Entering a Waypoint at Own Ship Position

Press the **SAVE/MOB** key momentarily to store your position as a waypoint.

Entering a Waypoint with Cursor

1. Press the **MENU** key, WAYPOINTS/ROUTES, WAYPOINTS and WAYPOINT BY CURSOR soft keys in order to show the plotter display.
2. Operate the **trackball** to place the cursor where you want to enter a waypoint.
3. Press the NEW WAYPOINT soft key.

MARK NAME	NEW WPT
<input type="radio"/> <input checked="" type="radio"/> 001 WPT	SELECT MARK
COMMENT	COORD TYPE
02:36 01JAN01	N<-->S E<-->W
LAT 34° 12. 134' N	SAVE
LON 134° 12. 345' W	RETURN
PROXIMITY ALARM RADIUS	
0. 00nm	

4. Press the SAVE soft key.

Creating a Route

1. Press the **MENU** key, WAYPOINTS/ROUTES, ROUTES soft keys in order to show the ROUTE menu.
2. Press the NEW ROUTE soft key to open

the new route entry screen.

ROUTE NAME	NEW ROUTE
001	PLOT
COMMENT	LOCAL LIST
	ALPHA LIST
	CONNECT
	CANCEL

3. Press the LOCAL LIST or ALPHA LIST soft key to open the waypoint list.
4. Use the **trackball** to select a waypoint, then press the ADD WPT soft key.
5. Repeat step 4 to complete the route.
6. Press the SAVE soft key to register the route, and then press the **MENU** key.

Navigating to Waypoints

1. Operate the **trackball** to select a waypoint on the plotter display.
2. Press the GO TO WPT soft key.

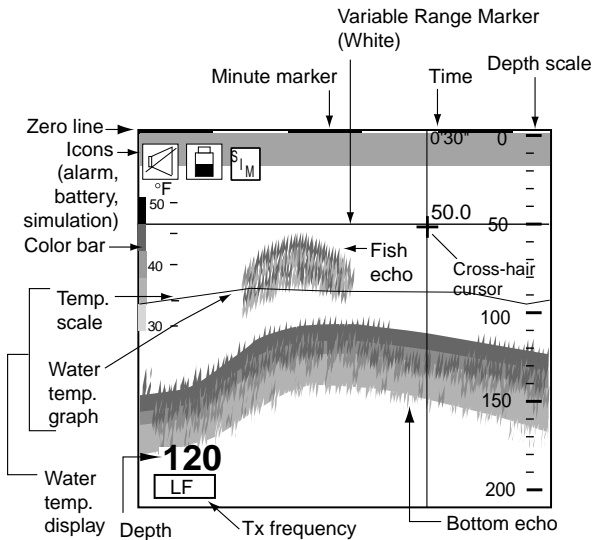
Setting Arrival Alarm

1. Press the **ALARM** key.
2. Select ARRIVAL ALARM.
3. Press the EDIT soft key to show the arrival alarm window.

ARRIVAL ALARM
▲
○ ON 0.010km
● OFF
▼

4. Use the **trackball** to select ON.
5. Enter alarm range, and then press the ENTER soft key or **ENTER** knob to register setting.
6. Press the **ALARM** key to finish.

<SOUNDER Operation>



Selecting a sounder mode

1. Press the DISPLAY MODE soft key to show the display mode window.
2. Use the **trackball** or **ENTER** knob to select a display.
3. Press the RETURN soft key to close the window.

Automatic Sounder Operation

1. Press the AUTO/D.BOX soft key.
2. Use the **trackball** or **ENTER** knob to select CRUISING or FISHING.
3. Press the RETURN soft key.

Manual Sounder Operation

1. Press the AUTO/D.BOX soft key.
2. Select OFF (MANUAL), and then press the RETURN soft key.

Adjusting the gain

Press the **GAIN** key, and then adjust the **ENTER** knob or **trackball**.

Shifting the basic range

Press the SHIFT soft key, and then adjust the **ENTER** knob.

Reducing Low Level Noise

1. Press the **MENU** key, and then press the SOUNDER MENU soft key.
2. Select CLUTTER, then press the EDIT soft key to show the clutter window.
3. Adjust the **trackball** upward or downward.
4. Press the ENTER soft key followed by the **MENU** key to close the menu.

Picture Advance Speed

1. Press the **MENU** key and SOUNDER MENU soft key in order.
2. Select PICTURE ADVANCE, and then press the EDIT soft key to open the picture advance window.
3. Use the **trackball** to select speed desired.
4. Press the RETURN soft key followed by the **MENU** key to close the menu.

Activating Sounder Alarms

1. Press the **ALARM** key to show the ALARM menu.
2. Use the **trackball** to select the alarm among BOTTOM, TEMPERATURE, FISH and FISH (B/L).
3. Press the EDIT soft key.
4. Select ON (for TEMPERATURE, WITHIN RANGE or OUT OF RANGE), and then key in the alarm range.
5. Press the ENTER soft key (or **ENTER** key) followed by the **ALARM** key to close the menu.

PUB. NO. 0SE-35430-A
(0502, HI MA) MODEL 1824C SERIES



* 00015180400 *

This manual is printed with soy ink.

